



Dual SeaLoc[®]

Dual SeaLoc is the all-in-one solution for composition / shingle and rolled comp roofs.

Pre-assembled butyl seal tape on the bottom and injected sealant provides dual leak protection. Apply one layer of the sealant outside SeaLoc will maximize the water diverting and permanently seal the SeaLoc and shingle.

Quick easy installation, less labor intensive on the roofs to install, no cutting shingles, no pulling nails.

ADVANTAGES

- Advanced Dual Rack design
- Both Silver & Black color
- 10-year limited warranty
- Conforms to UL STD 2703
- Class A Fire Rated – Type 1 & 2
- TAS 100 (A) - Wind & Rain tested



Product Line

| <u>Item #</u> | <u>Product Name</u> |
|---------------|---------------------|
| DSL-C | Dual SeaLoc – Clear |
| DSL-B | Dual SeaLoc - Black |

Material Specifications

| | |
|---------------------------|---|
| Density (ρ) | 168.56 lbs/ft ³ |
| Diffusivity (λ) | 200.00 W/m-°K |
| Modulus of Elasticity (E) | 10.152E06 Psi (7,000 kN/cm ²) |
| Shear Modulus (G) | 3.916E06 Psi (2,700 kN/cm ²) |

Component List

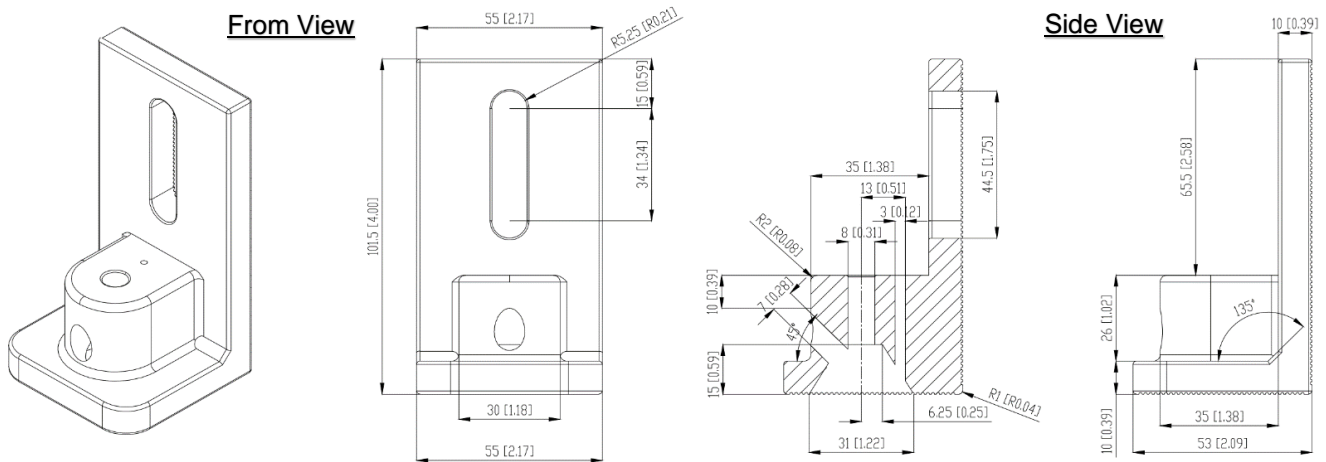
| <u>Component</u> | <u>QTY</u> |
|------------------------|-----------------------|
| SeaLoc bracket | 1 pcs |
| Butyl Seal Tape | 1 pcs (pre-assembled) |
| SS Lag Bolt 5" - 5/16 | 1 pcs |
| SS T-bolt & Flange Nut | 1 set |

Ordering Specifics

| | |
|---------------------|----------------------------------|
| Product Net Weight: | 0.75 lbs / set |
| Standard Package: | 10 sets / pack |
| Dimension: | 12.0" (L) x 8.5" (W) x 2.8" (H) |
| Weight: | 7.5 lbs / pack |
| Box Package: | 5 packs / box (50 sets) |
| Dimension: | 12.0" (L) x 8.5" (W) x 13.0" (H) |
| Weight: | 37.5 lbx / box |

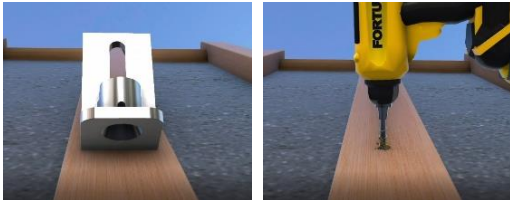
**Note: Sealant is not included in Dual SeaLoc package.*

Dual SeaLoc Product Dimension



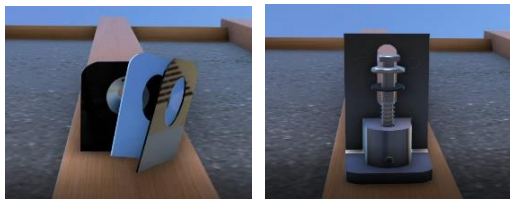
Installation Guide

Step One: Mark Position and Drill Pilot Hole



- Mark a lines 2" below upslope edge of shingle course. Mark the rafter for penetration spot. drill a pilot hole. Clean roof surface of dirt, debris, snow, and ice. Ensure to fill all the pilot hole with sealant first.

Step Two: Peel-off tape and Drill Lag-Bolt firmly



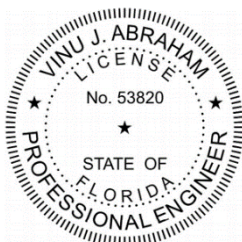
- Peel-off preassembled Butyl Seal Tap mask, pass lag-bolt through SeaLoc bracket, put the lag-bolt through pilot hole, then torque down the lag-bolt until SeaLoc bracket is held firmly in place and ensure the Butyl Seal Tape is pressed through the shingle.

Step Three: Inject Sealant and seal SeaLoc edge



- Insert tip of the sealant caulking into main port and inject the sealant until exits from the top vent. When the SeaLoc bracket is installed and filled with sealant, add a layer of the sealant around the edge of the bracket.

* Note: if the SeaLoc is installed on the shingles vertical joints, fill the shingle gap with sealant.



TAS100 (A) Testing in accordance with Miami-Dade County Requirements.

Report No.: M6327.01-109-18

Miami-Dade County Notification No.: ATI-21045